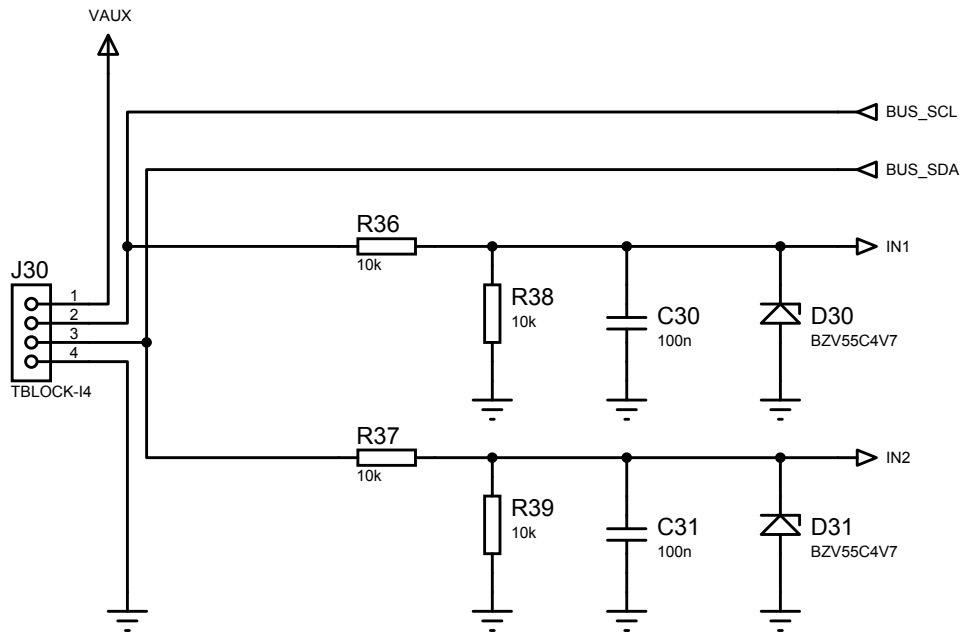


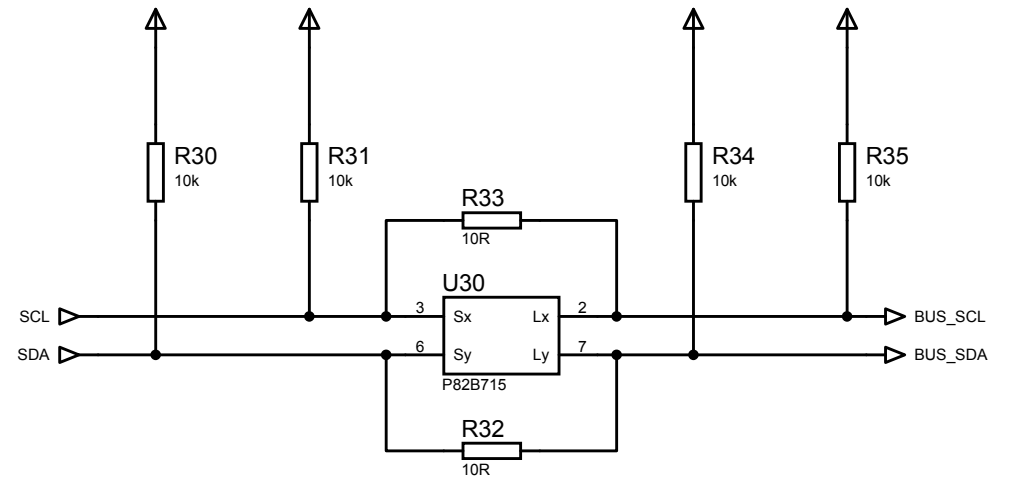
# Arc Dimmer

## Power - MCU

### STAND-ALONE OPERATION

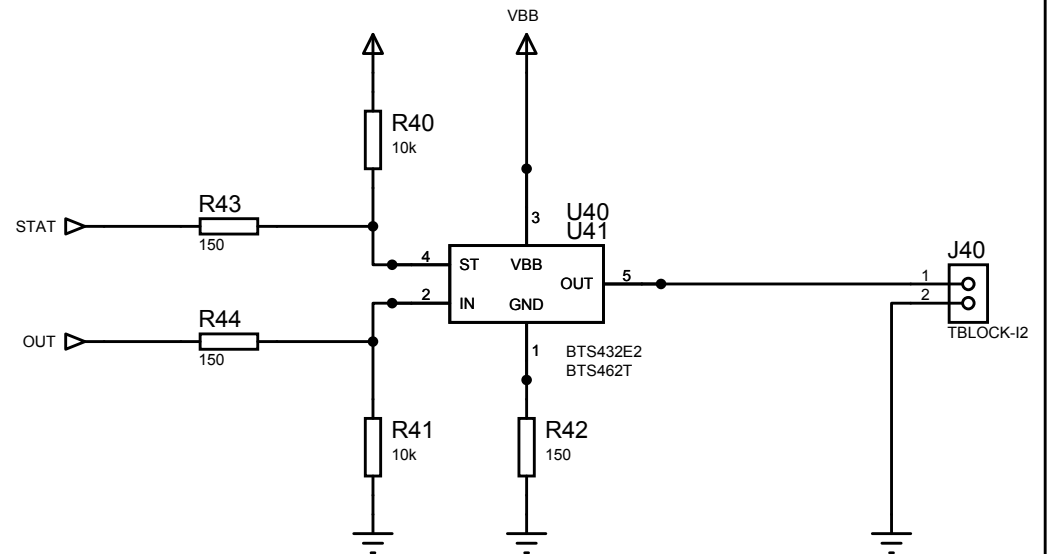
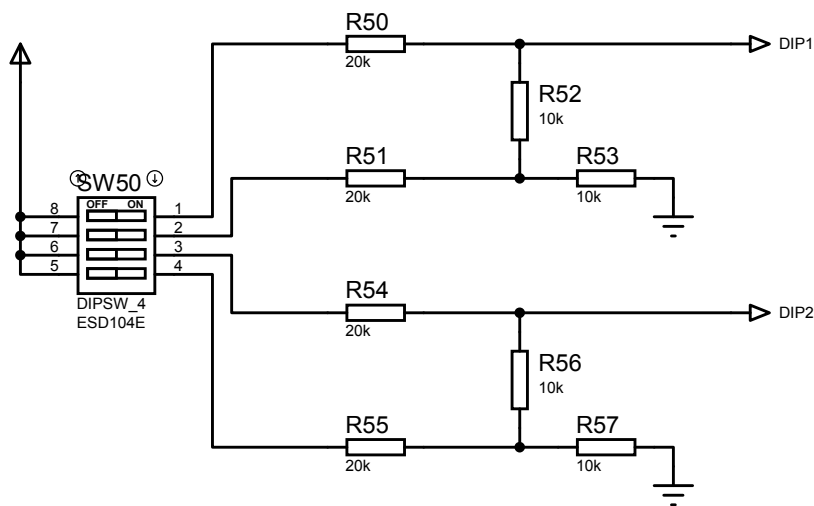


### BUS-CONTROLLED OPERATION



Mount R32 / R33 only if U30 is not installed.

Mount R34 / R35 only if U30 is installed.



## Arc Dimmer

### Inputs - Outputs